

ÁLAMO DÚO SERIES

SPECIFICATIONS

Electronic lavatory faucet activated by infrared sensor. For hot and cold water. Solid brass one-piece construction.

Available with an internally mounted 9V battery, externally mounted 9V battery or a 9V transformer. Filters included. Sensor range is adjustable by remote control. Other sensor settings (delay in, delay out and security time) can also be adjusted by remote control.

OPERATION

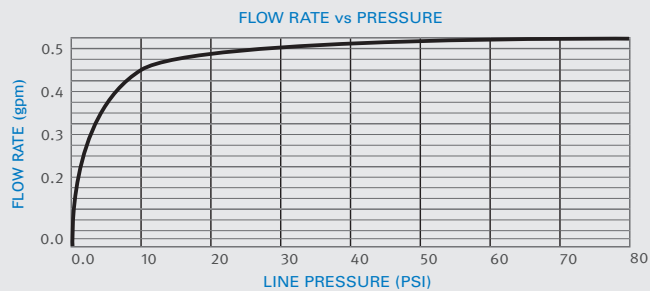
Touch free electronic faucet. The faucet is activated automatically when the user brings his hands within the sensor range, and stops when the user removes his hands.

APPLICATION

Deck mounted faucet combining an elegant design with anti-vandal features. Helps washrooms stay cleaner and save water. Prevents cross contamination.

PRODUCT AT A GLANCE

Installation	Lavatory mounted
Power Supply	<ul style="list-style-type: none"> External battery box with 9V Alkaline Battery Internal 9V battery. 9V Transformer
Operating pressure	0.5-8.0 bar / 7.0-116 PSI. For a pressure over 8 bar use a pressure reducing valve.
Water supply	Hot and cold water
Water Saving Options	6 LPM / 1.58 GPM ; 4 LPM / 1 GPM ; 3 LPM / 0.8 GPM 1.89 LPM / 0.5 GPM ; 1.3 LPM 0.35 GPM
Water temperature	70°C Maximum
SecurityTime	90 seconds. Adjustable with a remote control.

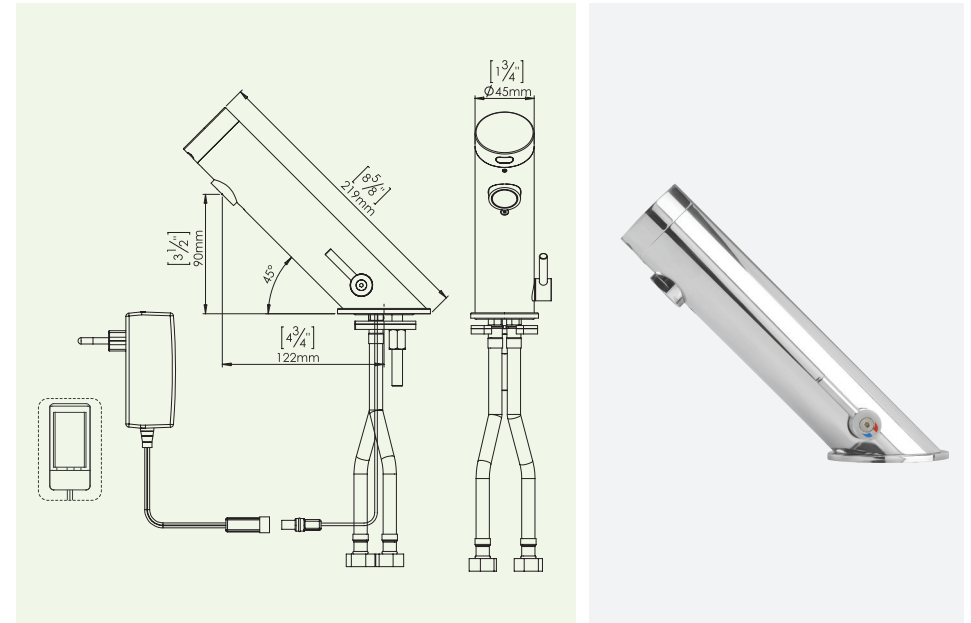


ORDERING INFORMATION

PRODUCTO	CÓDIGO
ÁLAMO DÚO	KSL00480
ÁLAMO DÚO EXT.	KSL00490

OPTIONAL ACCESSORIES

PRODUCT NAME	PART NUMBER
MATCHING ÁLAMO SOAP DISPENSER	KSL00915
REMOTE CONTROL	KSL01030



Kassel Sanitär S.L.

- Avda. de Castilla, 1 - Polígono Industrial, 28830 San Fernando de Henares, Madrid, Spain
- Daimlerstraße 2, D-93133 Burglengenfeld, Germany

Tel. +34 916 778 993 | Fax. +34 916 777 774 | info@kassel.es | www.kassel.es